

REPLACEMENT OF THE LAMP

HERE ARE THE INSTRUCTIONS FOR THE MOUNTING OF THE LAMP IN THE "SINGLE-MAX, EVEN THOUGH WE HAVE SENT YOU THE UNIT WITH THE LAMP IN.

YOU MAY USE THIS INSTRUCTIONS IN THE FUTURE:

FIRST OF ALL NEVER OPEN THE GLASS SIDE

- 1) LIFT THE 4 RUBBER/METAL PACKINGS "A" UP AND REMOVE THEM
- 2) UNSCREW THE 4 SCREWS "B"
- 3) REMOVE THE TWO PANELS (ON THE LEFT AND RIGHT OF THE HANDLE)
- 4) PUSH THE LAMP INTO THE 4 SPRINGS "E" AND ROTATE IT UNTILL THE DROP "F" ON THE BULB OF THE LAMP ITSELF IS FACING THE SMALL FRONTAL REFLECTOR
- 5) CONNECT THE WIRES OF THE LAMP "C" TO THE CONTACTS "D"
- 6) PUT THE PANELS AGAIN
- 7) PUT THE RUBBER/METAL PACKINGS IN THEIR PREVIOUS POSITION BY BEATING WITH YOUR HAND

Fig. 1

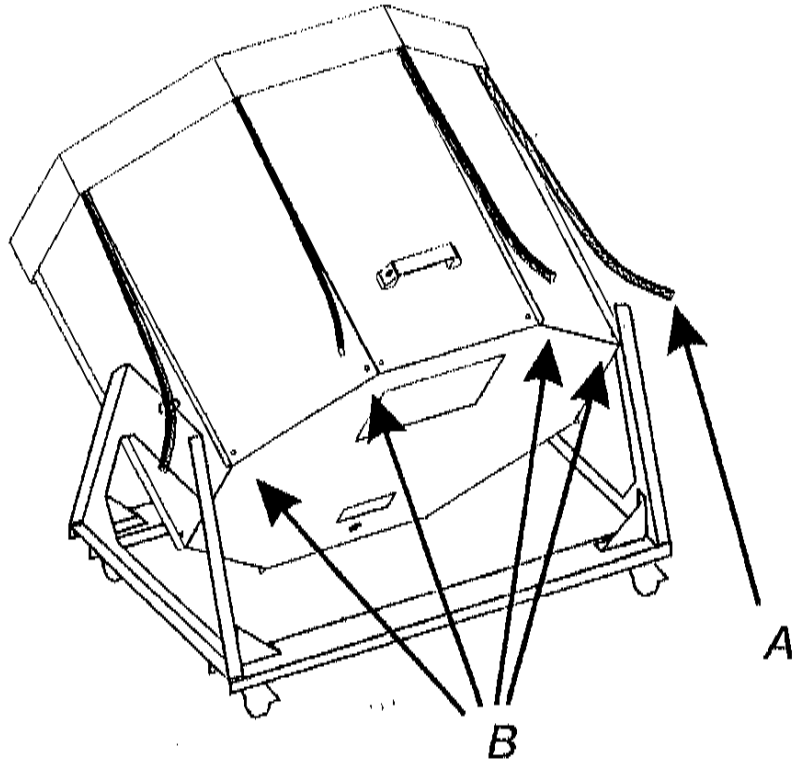


Fig. 2

